

Wedge Outdoor



WALL

SPECIFICATION SHEET

Wedge Outdoor



Model 2537WL ¹

Type

W Wall

Size

12	12.0" [305mm]
24	24.0" [610mm]
48	48.0" [1219mm]
72	72.0" [1829mm]
96	96.0" [2,438mm]

Custom

For customized shapes, please include a layout drawing or advise desired length

Wattage ^{2,3}

L
4.4 W/ft (465 lm/ft)
14.4 W/m (1,528 lm/m)

Color Temp ⁴

30	3000
35	3500
40	4000

Voltage

2 220/240 Volt

Driver

RD Remote

Control - RD

S	Non-dim
D010	0-10V
DALI	DALI
SWD	SwitchDIM

Diffuser

SA Satin clear acrylic

Finish

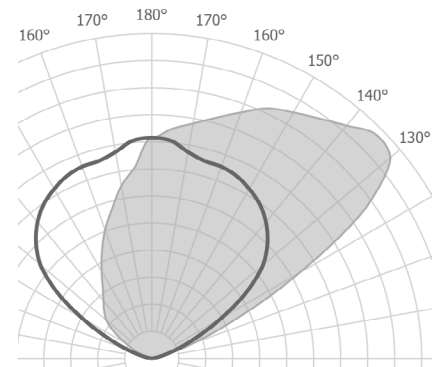
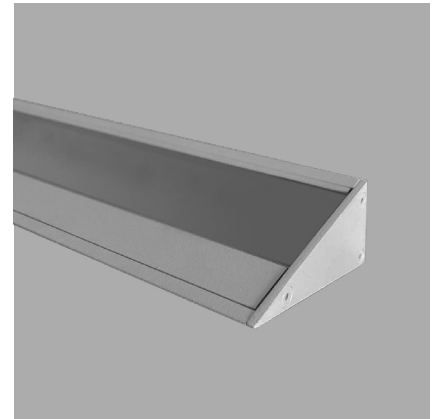
19	Painted anodized aluminum - RAL 9006 matte
21	Painted white - RAL 9010 matte
26	Painted black - RAL 9005 matte
22	Painted custom color

Notes

- 1 Suitable for wet location, IP65 rated LED tape
- 2 Nominal lumens value specified
- 3 LED tape, constant voltage 24 Volt
- 4 90+ CRI standard

Example fixture number:

2537WL - W - 48 - L - 30 - 2 - RD - S - SA - 19



Wedge Outdoor

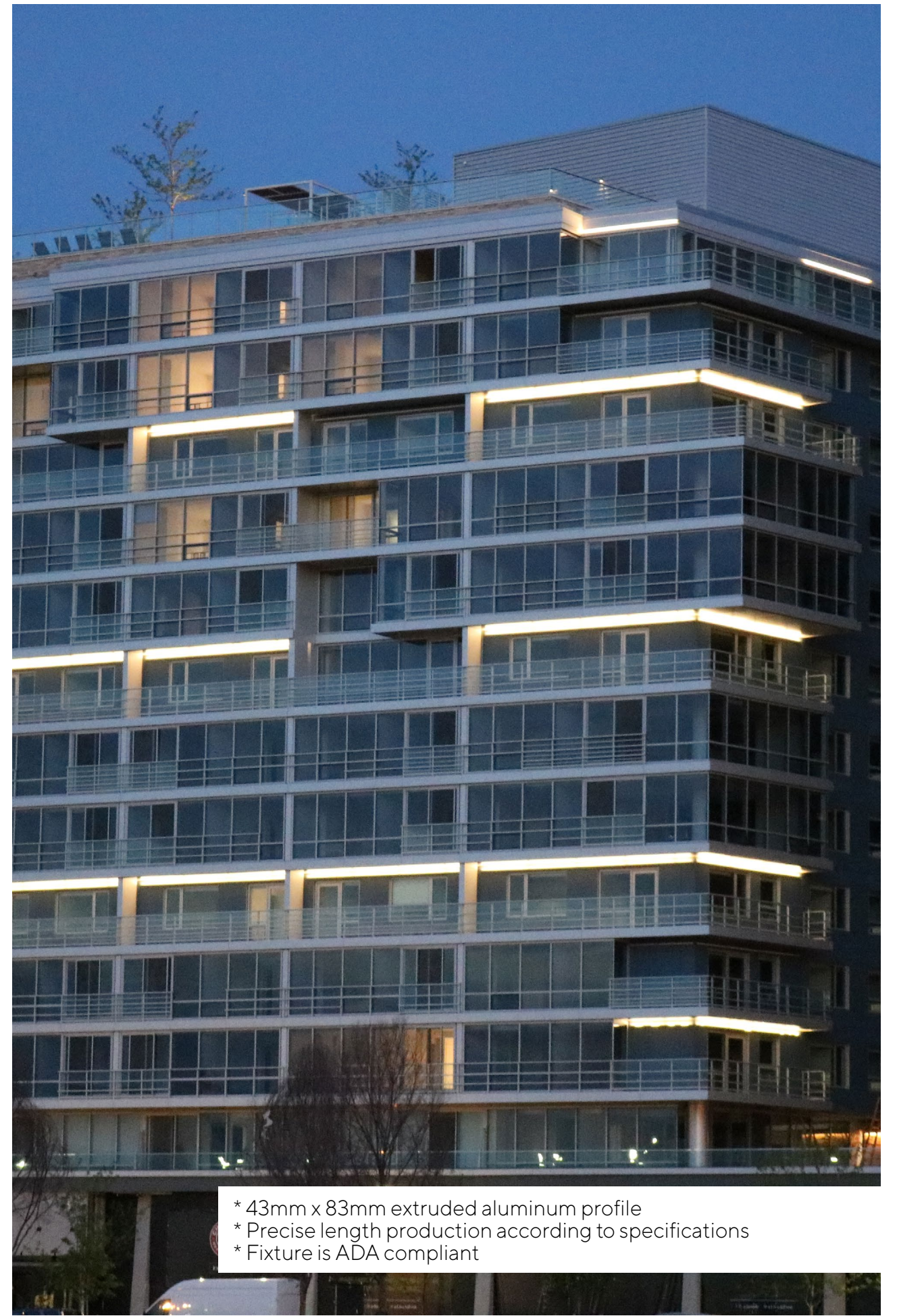
WALL

Wedge Outdoor is an ultra-small scale linear product that delivers low-angle, smooth patterned light to an adjacent surface. Ideal for outdoor spaces, facades, and terraces.

Used as individual luminaires or in continuous row mounting, the Wedge can be specified to absolutely any length.



Size	
12	12" [305mm]
24	24" [610mm]
48	48" [1,219mm]
72	72" [1,829mm]
96	96" [2,438mm]
Custom	



- * 43mm x 83mm extruded aluminum profile
- * Precise length production according to specifications
- * Fixture is ADA compliant

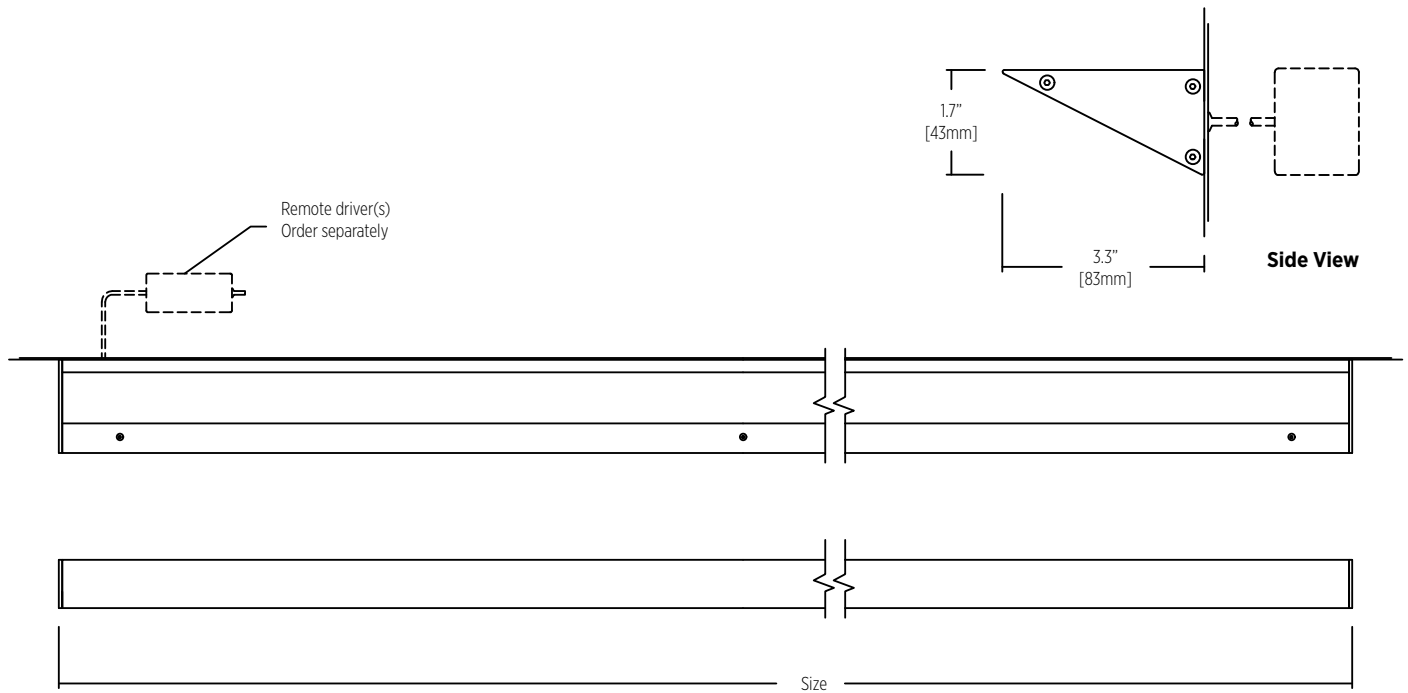
Wedge Outdoor



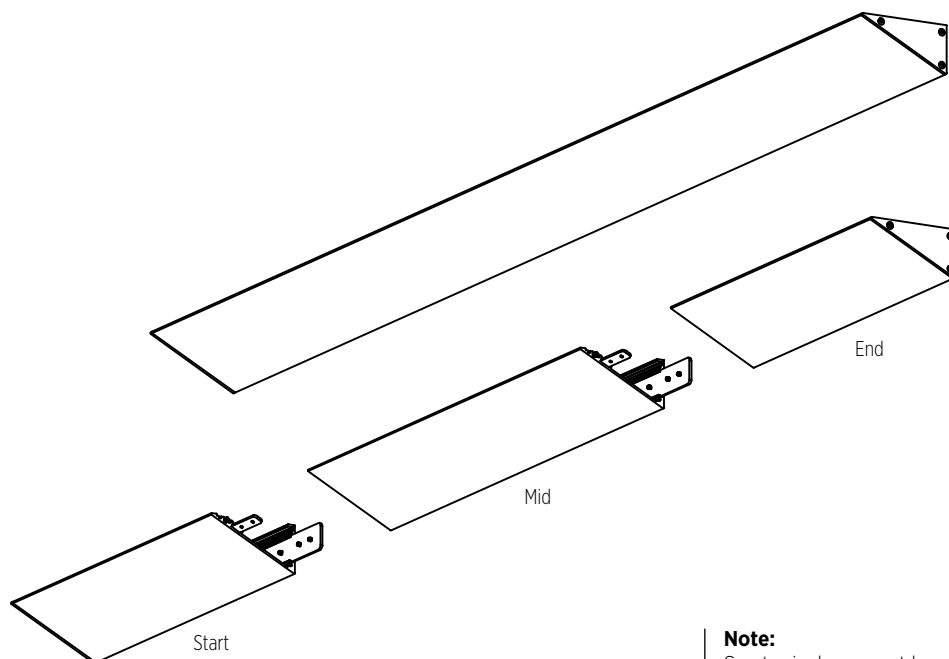
WALL

SPECIFICATION SHEET

Wedge Outdoor



Continuous configuration



Note:
See typical segment lengths and specify

Wedge Outdoor



WALL

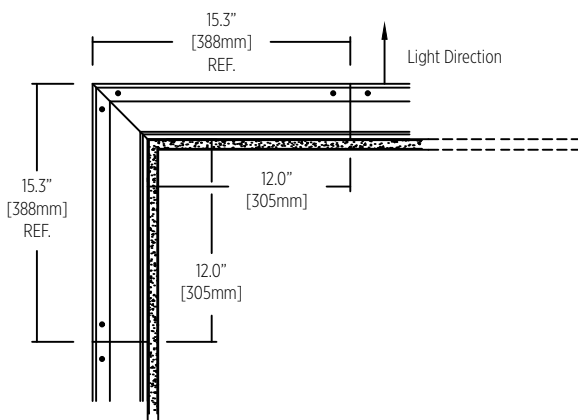
SPECIFICATION SHEET

Wedge Outdoor

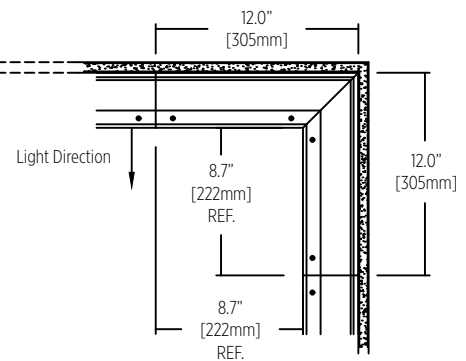


PLAN

Outside Corner "Raft"

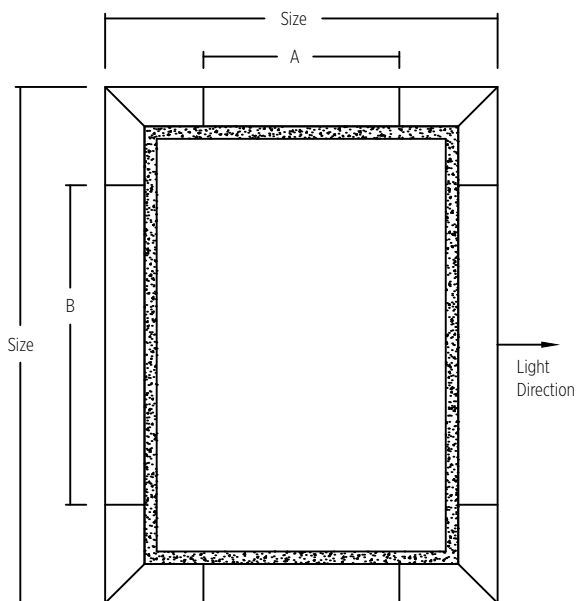


Inside Corner "Coffer"



EXAMPLE REFLECTED PLAN

Outside Corner



Inside Corner

